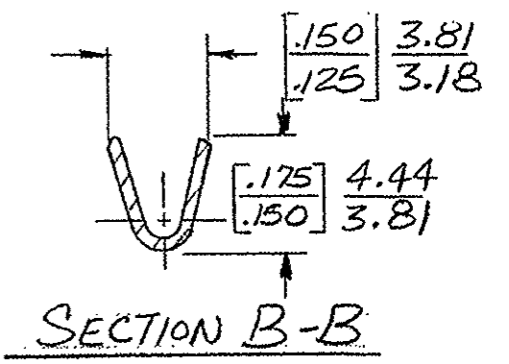
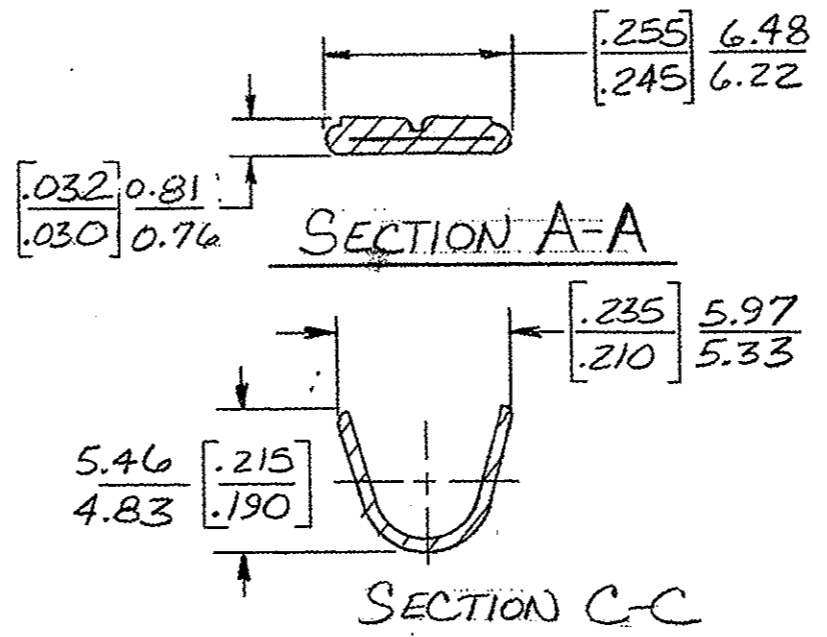
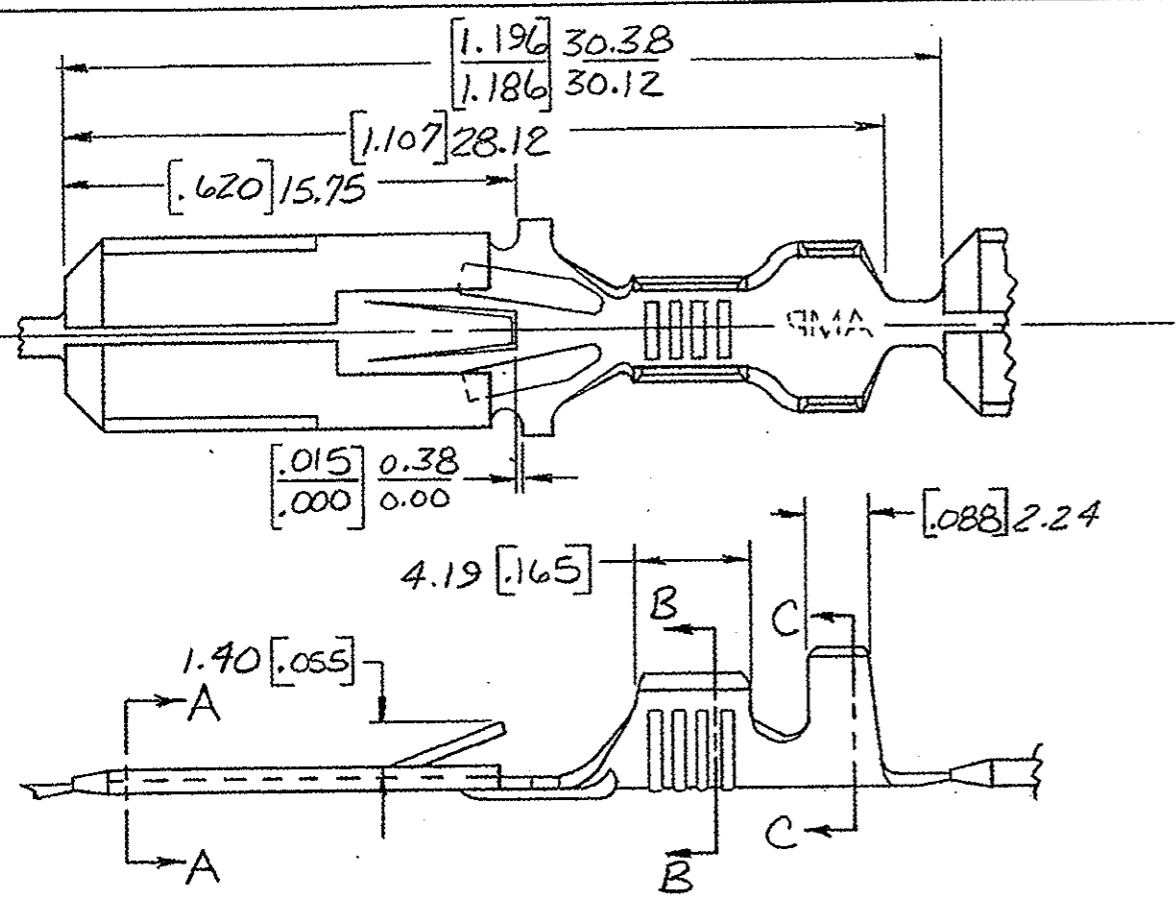


THIS DRAWING IS UNPUBLISHED. RELEASED FOR PUBLICATION
 © COPYRIGHT ALL RIGHTS RESERVED.

		1		LOC	AF	DIST	30
REVISIONS							
P	F	ZONE	LTR	DESCRIPTION		DATE	APPROVED
				DG2 REVISED PER ECO-11-005140		01APR11	HMR



3	4	TIN	[.0150] 0.38 BRASS	[.120-.160] 3.05-4.06	18-14	0.8-2mm²	42098-8
3	5	OBSOLETE	TIN	[.0150] 0.38 PHOS. BRZ.	[.120-.160] 3.05-4.06	18-14	0.8-2mm² 42098-7
3	5	OBSOLETE	PRE-TIN	[.0150] 0.38 BRASS	[.120-.160] 3.05-4.06	18-14	0.8-2mm² 42098-6
3	5	OBSOLETE	NONE	[.0150] 0.38 PHOS. BRZ.	[.120-.160] 3.05-4.06	18-14	0.8-2mm² 42098-5
3	5	OBSOLETE	NICKEL	[.015] 0.38 PHOS. BRZ.	[.120-.160] 3.05-4.06	18-14	0.8-2mm² 42098-4
3	5	SILVER	[.0150] 0.38 BRASS	[.120-.160] 3.05-4.06	18-14	0.8-2mm²	42098-3
3	5	PRE-TIN	[.0150] 0.38 BRASS	[.120-.160] 3.05-4.06	18-14	0.8-2mm²	42098-2
3	5	NONE	[.0150] 0.38 BRASS	[.120-.160] 3.05-4.06	18-14	0.8-2mm²	42098-1
		FINISH	MATERIAL	INSULATION RANGE	WIRE SIZE	PART NO	

- 1 - DIM'S. IN BRACKETS ARE IN INCHES.
- 2 - CONTINUOUS STRIP ON REELS.
- 3 - FOREIGN PRODUCTION ONLY
- 4 - PAPER INTERLAY BETWEEN LAYERS
- 5 - OBSOLETE PARTS: OBSOLETE CIS STREAMLINING PER D.RENAUD/D.SINISI

METRIC

UNLESS OTHERWISE SPECIFIED DIMENSIONS ARE IN INCHES. TOLERANCES ON: DECIMALS [±.015] 0.38 ANGLES	CONTRACT NO	TE Connectivity
	DR <i>NR Rector</i> 2-25-83	
MATERIAL	CHK <i>G. Yetter</i> 3-1-83	NAME
	<i>H</i>	APPR <i>J. Liberman</i> 4/22/83
FINISH	APPR <i>V. K. ...</i> 4/20/83	SIZE
	<i>H</i>	DSGN APPD
	OTHER APPD	FSCM NO
		00779
		DRAWING NO
		42098
		SCALE
		#
		SHEET

CUSTOMER DRAWING